



+1 (250) 656-9298

SALES@ LIQUIDMETALMARINE.COM

LIQUIDMETALMARINE.COM

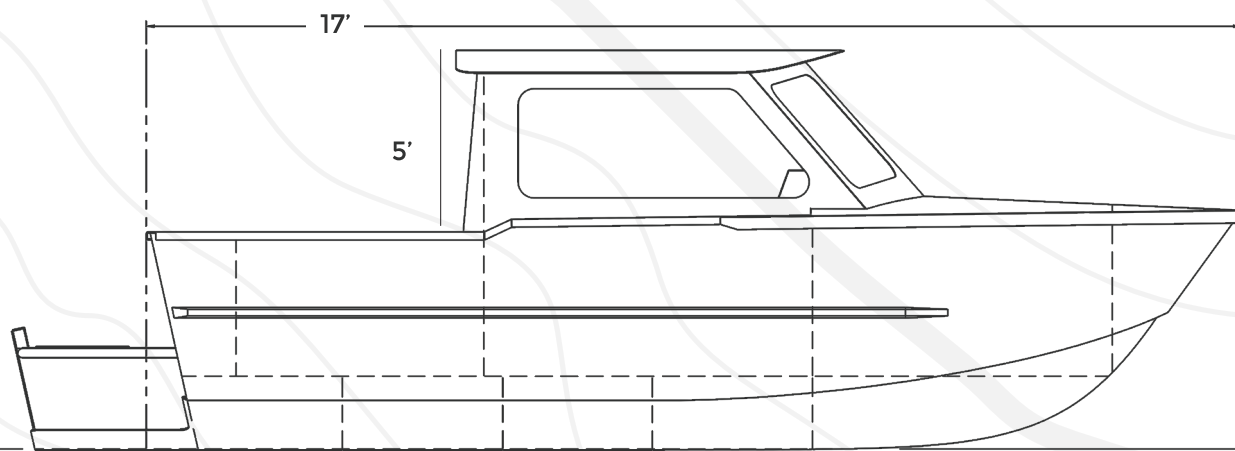
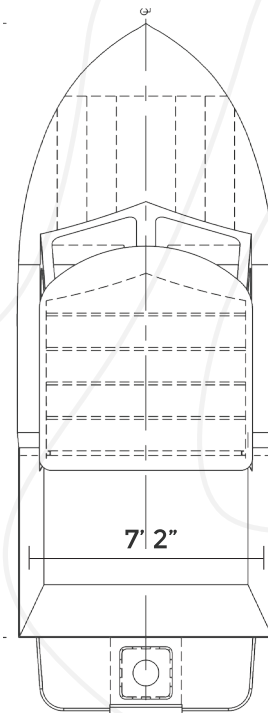
HALIBUT BANK 17' HARDTOP

THESE SMALLER, RUGGED VESSELS ALLOW FOR A VARIETY OF ON THE WATER EXPERIENCE.

THREE OPTIONS TO CHOOSE FROM INCLUDE A HARDTOP VERSION, A SOFT TOP VERSION OR AN OPEN VESSEL WITH A CENTER CONSOLE.

FEATURES OF THE HALIBUT BANK:

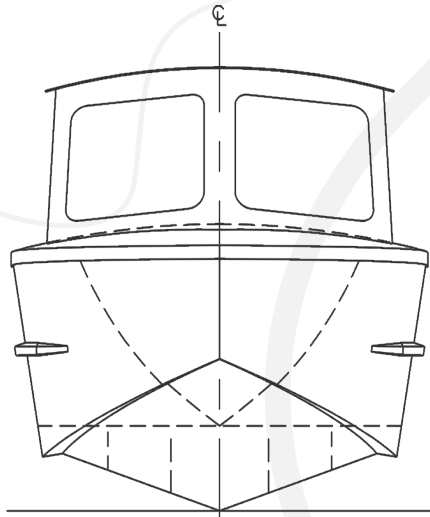
- » Length measured bow to transom 17' 0
- » Overall length (with outboard bracket) 19' 4", beam 7' 2"
- » Reverse chine hull
- » Bottom plate 3/16" 5086 marine grade aluminum
- » Side plate 3/16" 5086 marine grade aluminum
- » Side sheet stiffeners, 1 per side
- » Lifting strakes, 1 per side
- » Variable degree dead rise: 16 degrees at transom
- » Outboard bracket/hull extension with full-width swim grid
- » Longitudinal and transverse interior framing
- » Positive foam floatation
- » 3/16" welded aluminum floors with rain drains





HALIBUT BANK

17' HARDTOP



ALL FLOORS AND SIDE DECKS TO HAVE A NON-SKID FINISH

- » Bow and stern eyes
- » Drain with SS thread in plug
- » Zinc anode

SMALL CABIN WITH 5' HEADROOM

- » Two helm seats on adjustable pedestals
- » Two storage boxes aft of the helm seats
- » Storage area under the bow
- » Side storage trays

REMOVABLE 35G SCEPTER FUEL CELL UNDER DECK

- » Fuel tank is made to meet construction standards as set out in Transport Canada TP1332E
- » Tank includes all fittings, plumbing and wiring
- » A smaller access hatch above the tank is installed for ease of maintenance
- » Fuel system includes forced air ventilation for the below deck tank

BASE ELECTRICAL PACKAGE

- » Single 24 series battery with box and switch
- » Navigation lights - LED (Port, stb and all around)
- » Bilge pump - 1100 GPH
- » 12V plug-in on dash with USB
- » BlueSeas 6 position switch & fuse panel

SMALL BOW AND STERN RAILS

- » 5 weld on aluminum cleats
- » Aluminum mounting pads for Scotty downriggers
- » Laz box with tempress access hatches along transom for storage of batteries and fuel filter

POWER/RIGGING COMPONENT

- » Mercury 90HP
- » Price includes Mercury controls, digital gauge, wheel and all cables

UPGRADE TO OUR SPORT FISHING PACKAGE

- » Downrigger mounts with Scotty downriggers
- » Rod holders on cabin top
- » Net holder
- » Fishlocker on transom

VALUE \$3050.00